

DS-K1T343MWX**Value Series Face Access Terminal**

Face recognition terminal adopts deep learning algorithm, which helps to recognize the face faster with higher accuracy. It also supports multiple authentication modes: face/card authentication, etc. It can be applied in multiple scenarios, such as buildings, enterprises, financial industries, and other important areas.

- Max.1500 faces capacity, and Max.3000 cards
- Face Recognition Terminal, 4.3-inch LCD touch screen, 2 Mega pixel wide-angle lens, Built-in M1 card reading module
- Two-way audio with client software, indoor station, and main station; Supports TCP/IP, Wi-Fi
- Supports ISAPI, ISUP5.0
- Configuration via the web client
- Face recognition. Distance: 0.3 m to 1.5 m
- Duration < 0.2 s/User
- Accuracy rate ≥ 99%
- Supports face duplicate check, preventing multiple people from using the same face
- Supports attendance-only function
- Supports the following SIP servers: ASTERISK, 3CX, ELASTIX, miniSipServer, Brekeke, OpenSIPs, Kamailio
- Supports Push SDK

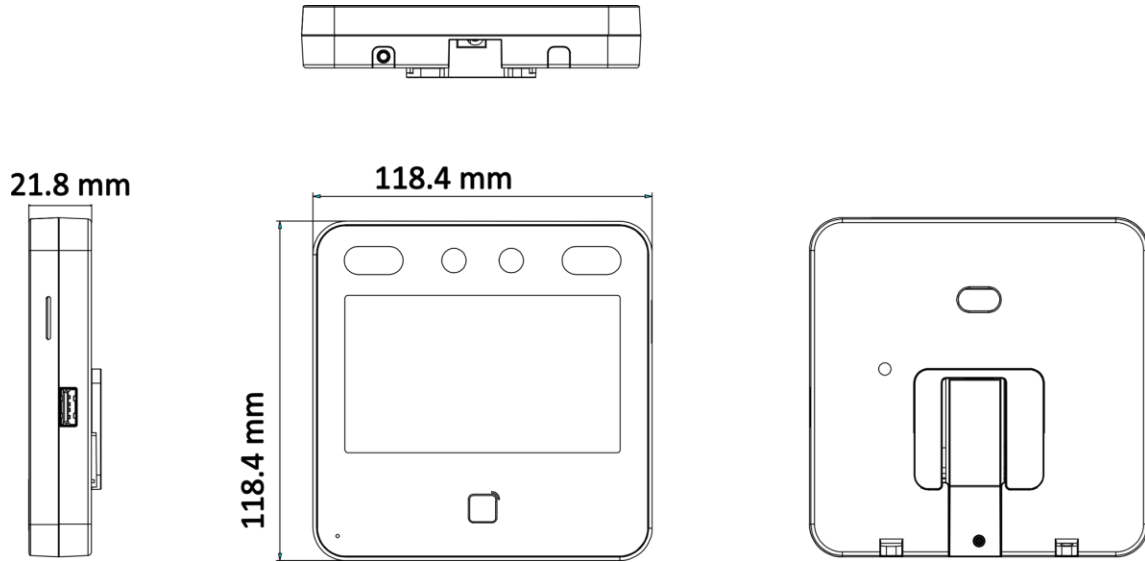
▪ Specification

Model		DS-K1T343MWX
System	Operating system	Linux
	ROM	4 GB
	RAM	DDR3:512 M
	CPU	800 MHz
Display	Screen size	4.3 inch
	Operation method	Capacitive touch screen
	Type	LCD
	Resolution	480 × 272
Video	Lens	2
	Resolution	2 MP
	Wide Dynamic Range (WDR)	Support
	Video standard	PAL (Default) and NTSC
	Focal length	4 mm
	Aperture	F 2.0
	HOV	HFOV: 75.5°; VFOV: 41.5°; DFOV: 87°
Audio	Audio compression standard	G.711U
	Audio compression bitrate	64 Kbps
	Audio input	Built-in omnidirectional microphone
	Audio output	Built-in loudspeaker
	Audio quality	Noise suppression and echo cancellation
	Volume adjustment	Adjust via device or client
	Power output	1 W
Network	Network protocol	SDK, SIP, RTSP, ISAPI, ISUP5.0
	Wired network	Support
	Wi-Fi	Support, 2.4 G, 802.11b/g/n
Interface	Network interface	1 RJ-45, 10/100 M self-adaptive
	Lock control	1
	Exit button	1
	Door contact input	1
	TAMPER	1

	RS-485	1 RS-485 (Half duplex, HIKVISION)
	Wiegand	1 Wiegand(Hik 26bit,Hik 34bit)
	USB	1
Capacity	Face capacity	1,500
	Card capacity	3,000
	Event capacity	150,000
Authentication	Face recognition distance	0.3 to 1.5 m
	Face recognition accuracy rate	>99%
	Face recognition duration	< 0.2 s
	Card type	M1 card
	Card reading frequency	13.56 MHz
	Card reading distance	0 to 3 cm (Normal Card); 0 to 2 cm (Card with Different Shapes)
	Card reading duration	< 1 s
General	Supplement light	IR light
	Power supply	12 VDC, 1 A (power adapter included)
	Working temperature	-10 °C to 40 °C (14 °F to 104 °F)
	Working humidity	0 to 90% (No condensing)
	Dimensions	118.4 mm × 118.4 mm × 21.8 mm (4.66" × 4.66" × 0.86")
	Installation	Wall mounting, base mounting
	Application environment	Indoor
	Language	English, Spanish (South America), Arabic, Thai, Indonesian, Russian, Vietnamese, Brazilian Portuguese, Japanese, Korean, Chinese Traditional, French, Turkish, Kazakh and Uzbek.
	Platform	Hik-ProConnect and HikCentral Professional
Function	Live view	Support
	Two-way audio	Support
	Multi-factor authentication	Support
	M1 card encryption	Support
	Face	Support

	anti-spoofing	
	First person in	Support
	Audio prompt	Support
	Time synchronization	Support

▪ **Dimension**



▪ **Accessory**

▪ **Optional**



See Far, Go Further



www.hikvision.com
support@hikvision.com

